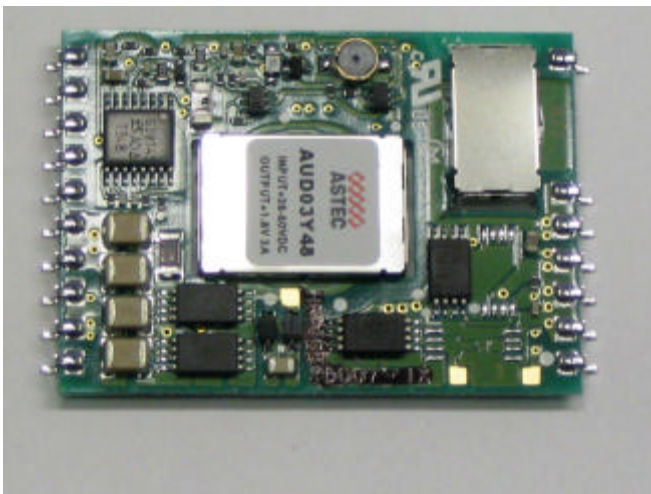


***AUD 10W Ultra Low Profile DC – DC Module***

***(Pb-free reflow compatible and ROHS Compliant)***

The AUD 10W series is Astec’s new Ultra Low Profile, 48Vin, SMT isolated single output modules. With the Ultra Low Profile SMT design (only 4.3mm height), the module can be flexible mounted on the top side or the bottom side of motherboard. The AUD 10W series also comes with enhanced features such as Remote on/off (RC), parallel application (PO), Power Good (ALM), and the protection of OVP, OCP and UVLO.



**Special Features**

- Ultra Low Profile – 4.3mm height
- Efficiency – 89% @ 5V
- -40 °C to +85°C Ambient Operating temperature (0.2m/s air flow)
- Open Frame SMT
- Low output ripple and noise
- Regulation to zero load
- CISPR22, Class A for Conduct and Radiated EMI
- Parallel Application
- UL/cUL 1950, CE Mark
- Pb-free reflow compatible and ROHS Compliant

**Electrical Parameters**

**Input**

**Input range**      36 – 60Vdc  
                           60 – 75Vdc (forced air 0.5m/s)  
**Efficiency**         89% @5Vo

**Control**

**Enable**             ON: RC pin connected to –Vin or Open  
                           OFF: RC pin connected to +Vin

**Output**

**Line / Load Regulation**      +5%, -3%  
**Ripple and Noise**             50mVp-p  
**OVP**                                120% of Vonom (Latch-up)  
**OCP**                                3.1A for 1.5V –3.3V  
     2.1A for 5V  
**LVP**                                95% of Vonom (1.5V)  
     90% of Vonom (others)  
     (Latch-up)  
**Isolation**                         1500VDC (1 minute)



**Technical Reference Note**  
**Ultra Low Profile**  
**AUD 10W Series**



AUD 10W Ultra Low Profile Series  
THIS SPECIFICATION COVERS THE REQUIREMENTS

<b>MODEL NAME</b>	<b>SIS CODE</b>	<b>Vout,Iout</b>
AUD03M48	AUD03M48	1.5V @ 3.5A
AUD03Y48	AUD03Y48	1.8V @ 3A
AUD03G48	AUD03G48	2.5V @ 3A
AUD03F48	AUD03F48	3.3V @ 3A
AUD02A48	AUD02A48	5V @ 2A



# Technical Reference Note

## Ultra Low Profile

### AUD 10W Series



### Electrical Specifications

**STANDARD TEST CONDITION** on a single unit, unless otherwise specified.

T <sub>A</sub> :	25°C (Ambient Air)
+Vin (P16-17):	36 – 60Vdc 60 – 75Vdc (forced air 0.5m/s)
-Vin (P18-19):	Return for +Vin
RC (P13):	Open
+Vo (P2-4):	Connect to load
-Vo (P5-6):	Return for +Vo
PO (P14):	Open
ALM(P12):	Open

### ABSOLUTE MAXIMUM RATINGS

Stresses in excess of the absolute maximum ratings can cause permanent damage to the device. Functional operation of the device is not implied at these or in any other conditions in excess of those given in the operational sections of the specs. Exposure to absolute maximum ratings for extended periods can adversely affect device reliability.

Parameter	Device	Symbol	Min	Typ	Max	Unit
Input Voltage						
Continuous		V <sub>IN</sub>	36	-	60	Vdc
Continuous (0.5m/s LFM)		V <sub>IN</sub>	60	-	75	Vdc
Transient (200µs, 42V/10µs rate)		V <sub>IN,trans</sub>	-	-	90	Vdc
Operating Temperature (0.2m/s air flow)			-40		85	°C
Storage Temperature	All	T <sub>STG</sub>	-40	-	90	°C
Operating Humidity	All	-	10	-	95	%

### INPUT SPECIFICATIONS

Parameter	Device	Symbol	Min	Typ	Max	Unit
Operating Input Voltage		V <sub>IN</sub>	36	48	60	Vdc
Input Voltage (0.5m/s LFM)		V <sub>IN</sub>	60		75	Vdc
Turn-on Voltage			32		36	Vdc
Turn-off Voltage			30		34	Vdc
Maximum Input Current <sup>2</sup> (V <sub>IN</sub> = 0 to V <sub>IN,max</sub> ; I <sub>O</sub> = I <sub>O,max</sub> )	All	I <sub>IN,max</sub>	-	-	0.5	A

- Note: 1. This power module is not internally fused. The use of an input line fuse (GMA-10A Bussman fuse or equivalent) is recommended.  
 2. The value is static only and rated for UL/cUL safety. In-rush current to charge internal capacitors is not specified.



# Technical Reference Note

## Ultra Low Profile AUD 10W Series



### OUTPUT SPECIFICATIONS

Parameter	Device	Symbol	Min	Typ	Max	Unit
Output Voltage Setpoint ( $V_{IN}=V_{IN,min}$ to $V_{IN,max}$ at $I_O=I_{O,max}$ )	AUD03M48	$V_{O,SET}$		1.5		Vdc
	AUD03Y48	$V_{O,SET}$		1.8		Vdc
	AUD03G48	$V_{O,SET}$		2.5		Vdc
	AUD03F48	$V_{O,SET}$		3.3		Vdc
	AUD02A48	$V_{O,SET}$		5.0		Vdc
Output Regulation: Line: $V_{IN}=V_{IN,min}$ to $V_{IN,max}$ Load: $I_O=I_{O,min}$ to $I_{O,max}$	All	-	-3	-	+5	%
	All	-	-3	-	+5	%
Output Ripple and Noise Peak to Peak: 5Hz to 20MHz	$\geq 2.5V$	-	-	-	50	mV <sub>PK-PK</sub>
Output Current Range	1.5V	$I_O$	0	-	3.5	A
	1.8V	$I_O$	0	-	3	A
	2.5V	$I_O$	0	-	3	A
	3.3V	$I_O$	0	-	3	A
	5.0V	$I_O$	0	-	2	A
Output Current Limit Inception <sup>3</sup>	1.5V	$I_O$	-	3.6	-	A
	1.8V	$I_O$	-	3.1	-	A
	2.5V	$I_O$	-	3.1	-	A
	3.3V	$I_O$	-	3.1	-	A
	5.0V	$I_O$	-	2.1	-	A
Over Voltage Protection	All			120		% $V_O$
Low Voltage Protection	1.5V			95		% $V_O$
	others			90		% $V_O$
Efficiency $T_a = 25^\circ C$ , $V_{in} = 48V$ , $I_o = I_{omax}$	1.5V	$\eta$	77	82	-	%
	1.8V	$\eta$	79	84	-	%
	2.5V	$\eta$	81	86	-	%
	3.3V	$\eta$	83	88	-	%
	5.0V	$\eta$	84	89	-	%

Note: 3. This feature is only for module protection and is not intended for customer application. The value is specified at 25C ambient air temperature.



# Technical Reference Note

## Ultra Low Profile

### AUD 10W Series



#### OUTPUT SPECIFICATIONS (Continued)

Parameter	Device	Symbol	Min	Typ	Max	Unit
Switching Frequency	1.5V	-	-	670	-	KHz
	1.8V	-	-	520	-	KHz
	2.5V	-	-	600	-	KHz
	3.3V	-	-	640	-	KHz
	5.0V	-	-	640	-	KHz
Dynamic Response: Slew Rate	All	$\Delta I_O / \Delta t$	-	$0.3 \times I_O / 100\mu S$	-	A/ $\mu s$
Load Change: 50% - 100% $I_{O,max}$	All	-	-	-	10	% $V_O$
Load Change: 100% to 50% $I_{O,max}$	All	-	-	-	10	% $V_O$
Turn-On time (Input to Output) <sup>5</sup> $I_O = I_{O,max}; V_{IN} = V_{IN,nom}$ to $V_{O,nom}$	All	-	15	-	250	ms

Note: 5. Input to Output Turn-On time is defined as the difference between t1 and t2: where t1 is the time when the input voltage reaches the minimum  $V_{IN}$  ( $V_{IN} = V_{IN,MIN}$ ) and t2 is the time when the output voltage reaches it's specified range ( $V_O = V_{O,SET-Min}$ ).

#### ISOLATION SPECIFICATION

Input to Output Isolation: 1500Vdc (1 minute)

#### SAFETY APPROVAL

The AUD (10W) is certified under the following agencies:

- UL/cUL 1950, and CE Mark.

The module shall not be considered approved and carry safety agency logos until this has been authorized by Safety and QA / QC management.



# Technical Reference Note

## Ultra Low Profile

### AUD 10W Series



## Basic Operation and Features

### Over Current Limit Inception (OCP)

The Isolated DC-DC converter limits output current when the current is over the maximum output current due to abnormality such as overload or short circuit. When over current condition continues and output voltage decreases to the point of low voltage protection, the DC-DC converter will be in latch up mode. To restore the output, remove the abnormality and re-set the input voltage under 5V for 1 second minimum.

### Over Voltage Protection (OVP)

The Isolated DC-DC converter stops the operation when the output voltage is over the specified Over Voltage Protection point, the converter will be in latch up mode after 0.5ms\*. To restore the output, re-set the input voltage under 5V for 1 second minimum.

Notes\*: Output voltage might exceed the point at which OVP starts to function under the specific condition of transient input voltage or output current change. Therefore, OVP is set to wait for the mask time 0.5ms.

### Low Voltage Protection (LVP)

If output voltage is under the specified Low Voltage Protection point, the converter will halt the operation. After typical 500ms mask period, the converter will be in latch up mode. To restore the output, re-set the input voltage under 5V for 1 second minimum.

### Remote On/Off Control (RC)

If RC pin is open or connected to  $-V_{in}$ , the converter is turned on. If RC is connected to  $+V_{in}$ , the converter is turned off.

### Alarm Output (ALM)

The Alarm output will be down to the  $-V_{in}$  level (Open Drain Output) at the condition of Over Voltage Protection or Low Voltage Protection. The maximum sink current in ALM pin is 10mA. When operating in parallel application, all operating units can be simultaneously halt by connecting all the ALM pins together, in the condition of Over Voltage Protection or Low Voltage Protection caused by any single converter. Maximum number for parallel operation is 10 units

### Synchronous Turn On/Off

Connect the PO (parallel Operation) pins of all operating units together will synchronize the turn on / off time in parallel application.

## MODULE PIN ASSIGNMENT

PIN #	DESIGNATION	
P1, 10, 11, 20	NC	Mechanical supplemental contact pins
P2, 3, 4	+Vo	+ Output
P5, 6	-Vo	- Output
P12	ALM	Alarm Output
P13	RC	Remote On/Off
P14	PO	Parallel Operation
P15	NC	-
P16, 17	+Vin	+ Input
P18, 19	-Vin	- Input



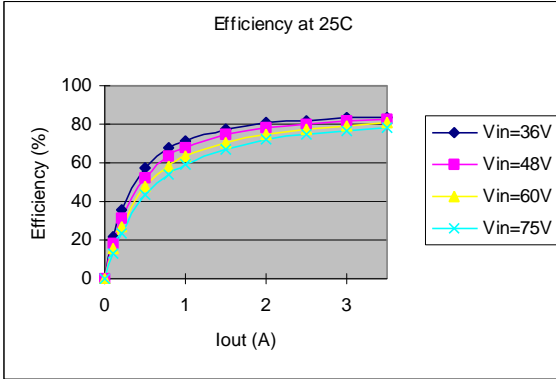
# Technical Reference Note

## Ultra Low Profile

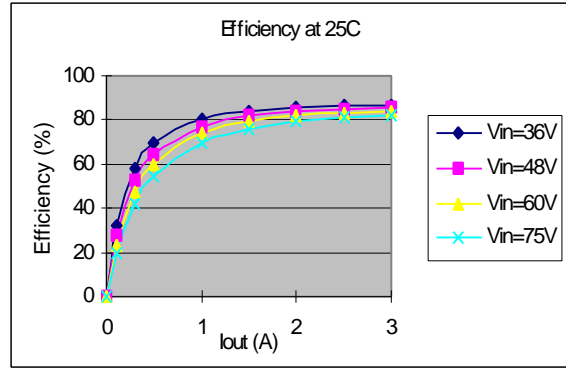
### AUD 10W Series



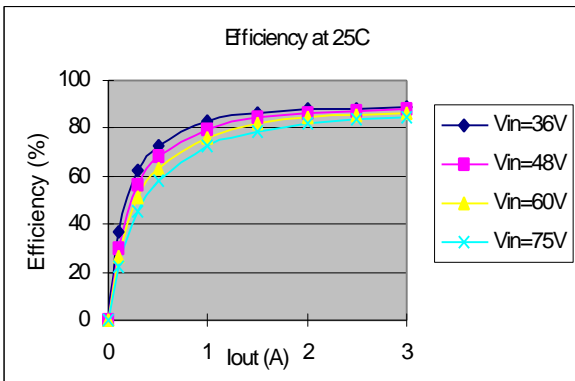
### Performance Curves



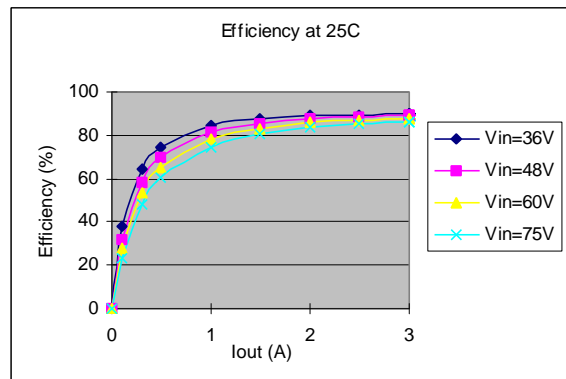
Efficiency vs. Load Current Curves for 1.5Vo



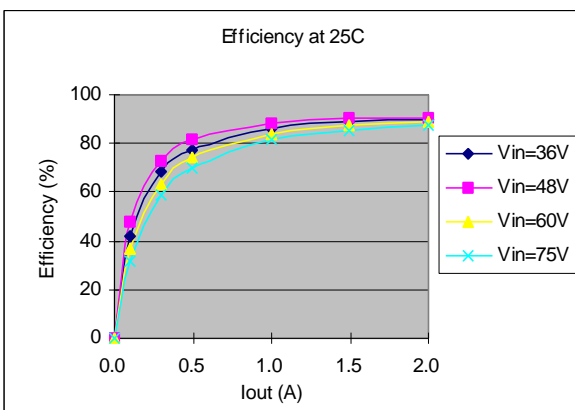
Efficiency vs. Load Current Curves for 1.8Vo



Efficiency vs. Load Current Curves for 2.5Vo



Efficiency vs. Load Current Curves for 3.3Vo



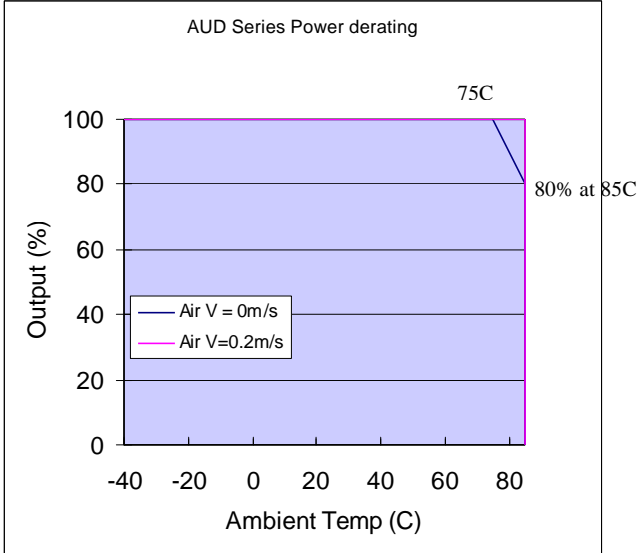
Efficiency vs. Load Current Curves for 5.0Vo



# Technical Reference Note

## Ultra Low Profile

### AUD 10W Series



Derating Curve for the AUD Series



### Typical Application Circuit

#### A) Single Operation

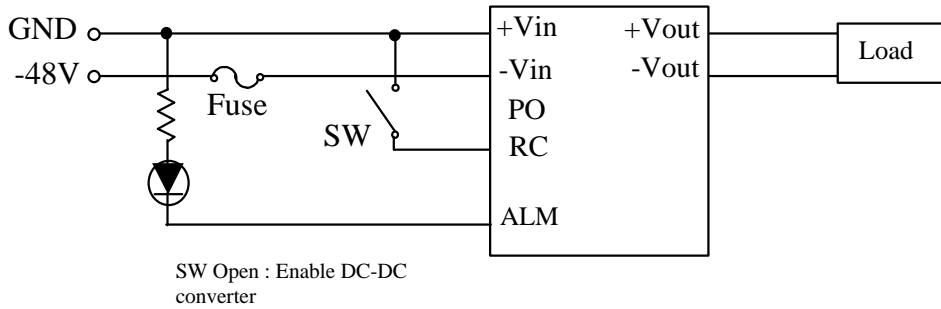


Figure 1

#### B) Parallel Operation (A single power supply connects to multiple DC-DC converters to apply for higher output current more than rated one from a DC-DC converter)

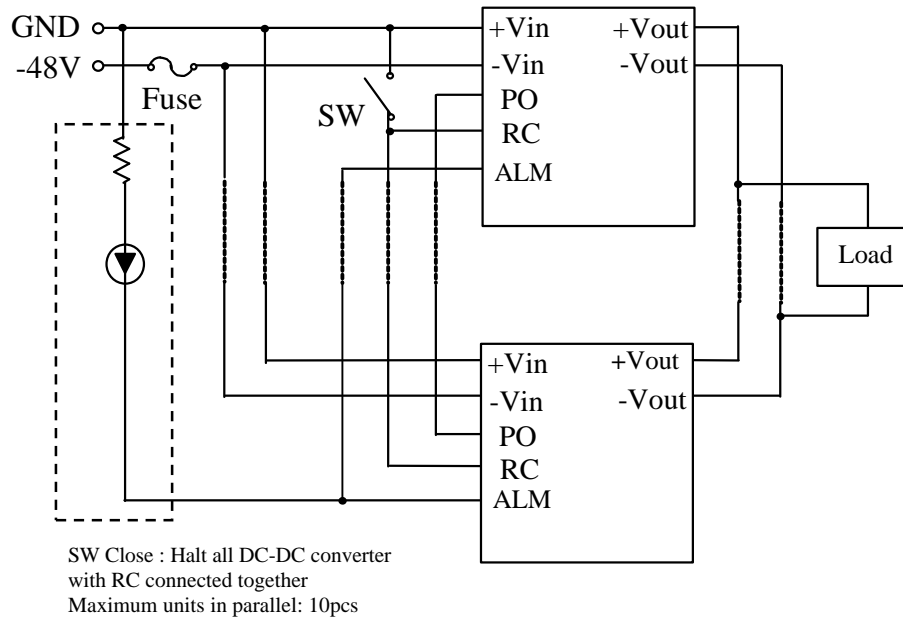


Figure 2

- i) All PO pins should be connected together
- ii) All DC-DC converters with ALM pins connected will stop the operation when one single converter is halted in mode protected by LVP or OVP.
- iii) LED is optionally connected to ALM pin for the notice of DC-DC converter stoppage.

C) Multiple Operation: A single power supply connects to multiple DC-DC converters to individually distribute output current to multiple independent loads.

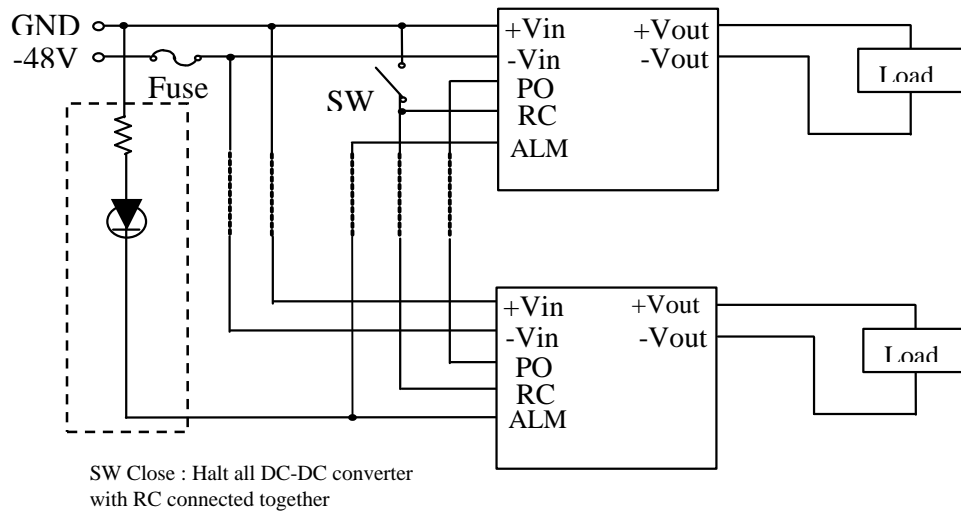
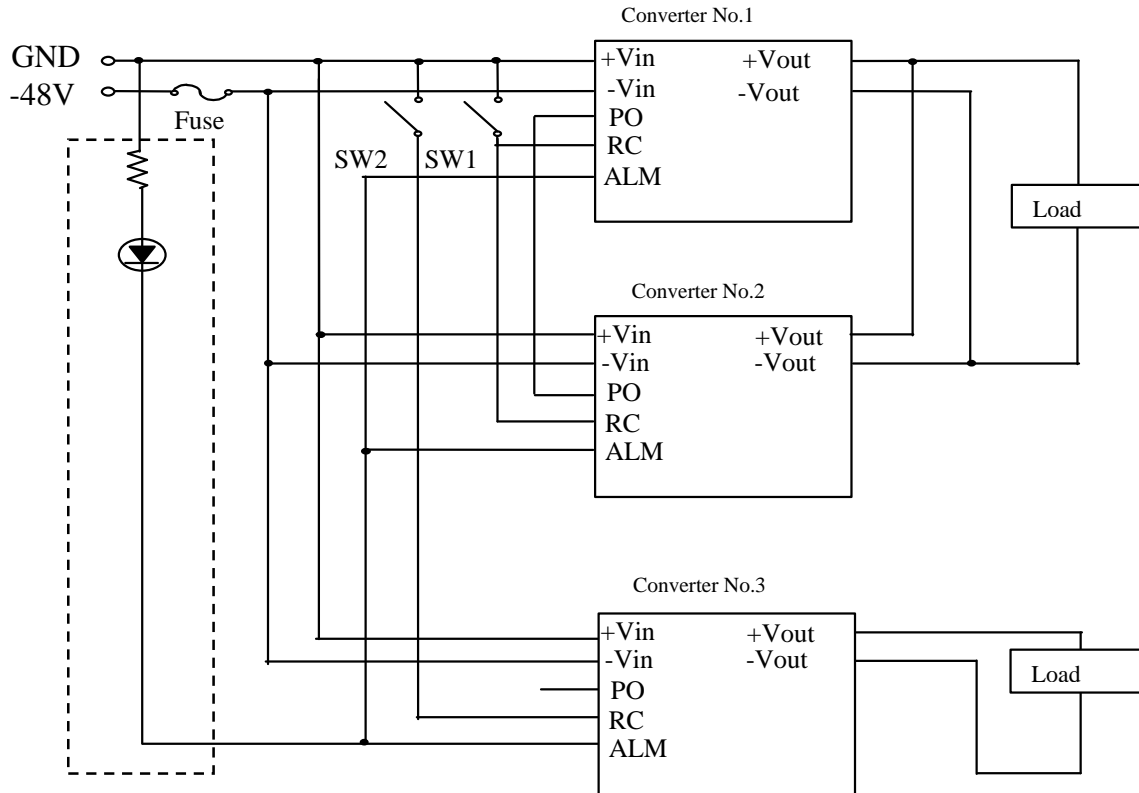


Figure 3

- i) All DC-DC converters with ALM pins connected will stop the operation when one single converter is halted in mode protected by LVP or OVP.
- ii) LED is optionally connected to ALM pin for the notice of DC-DC converter stoppage.

D) complex parallel and multiple (Sequence start-up): Two converters supplying the same output voltage for a single load and another converter supplying the different output voltage for another load.

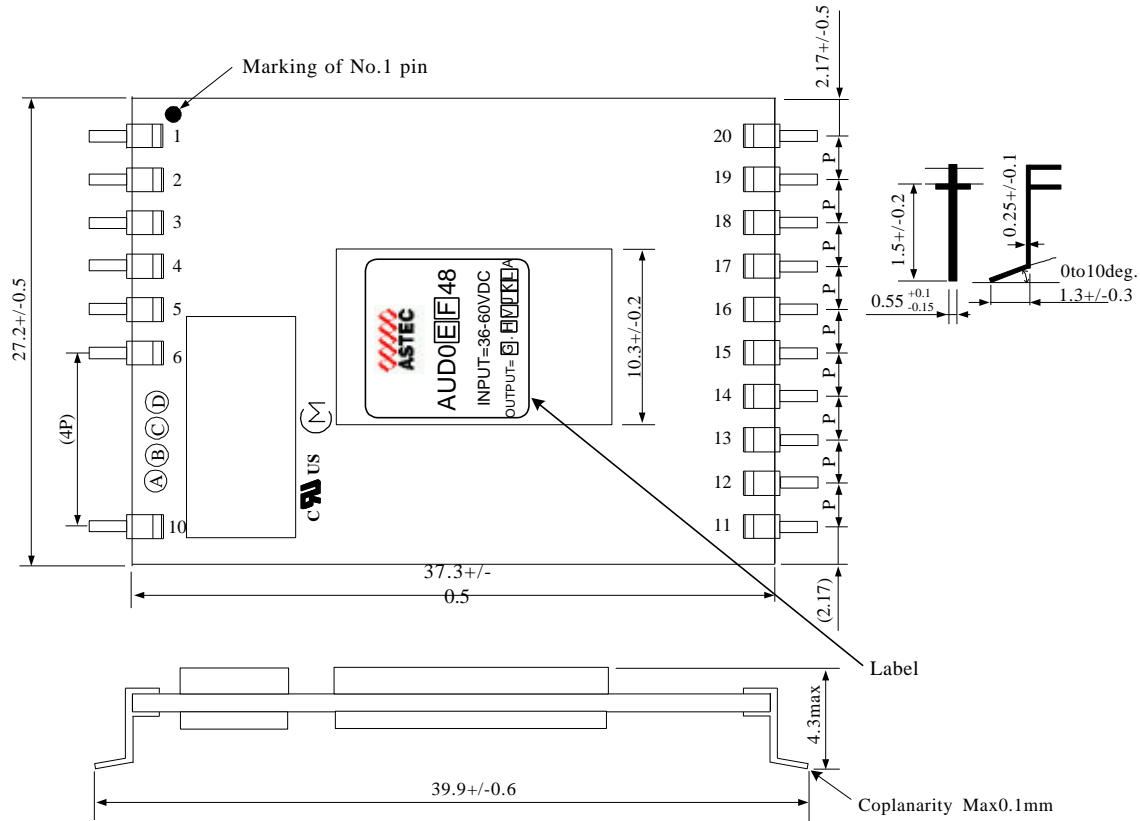


SW1 Close : Halt DC-DC converter No.1 and 2  
 SW2 Close : Halt DC-DC converter No.3

Figure 4

- i) PO pins of the converters supplying the same output voltage are connected to the others and another PO pin of the different output voltage converter is not connected.
- ii) All three DC-DC converters, which are connected to ALM pins, stop their operation when a single one is halted in mode protected by LVP or OVP.
- iii) LED is optionally connected to ALM pin for the notice of DC-DC converter stoppage.

### Mechanical Specifications



Pin No	Symbol	Function	Pin No	Symbol	Function
1,10,11,20	NC	Mechanical supplemental contact pins	12	ALM	Alarm output
2	+Vout	+Output	13	RC	Remote on/off control
3	+Vout	+Output	14	PO	Parallel operation
4	+Vout	+Output	15	NC	-
5	-Vout	-Output	16	+Vin	+Input
6	-Vout	-Output	17	+Vin	+Input
			18	-Vin	-Input
			19	-Vin	-Input

Notes:

- A : Factory symbol
- B : The last number of production year  
Example: 2 stands for 2002
- C : Production month  
(1,2,3,.....,9,O, N, D)
- D : Blank

Unit Weight: 7.3g



# Technical Reference Note

## Ultra Low Profile

### AUD 10W Series



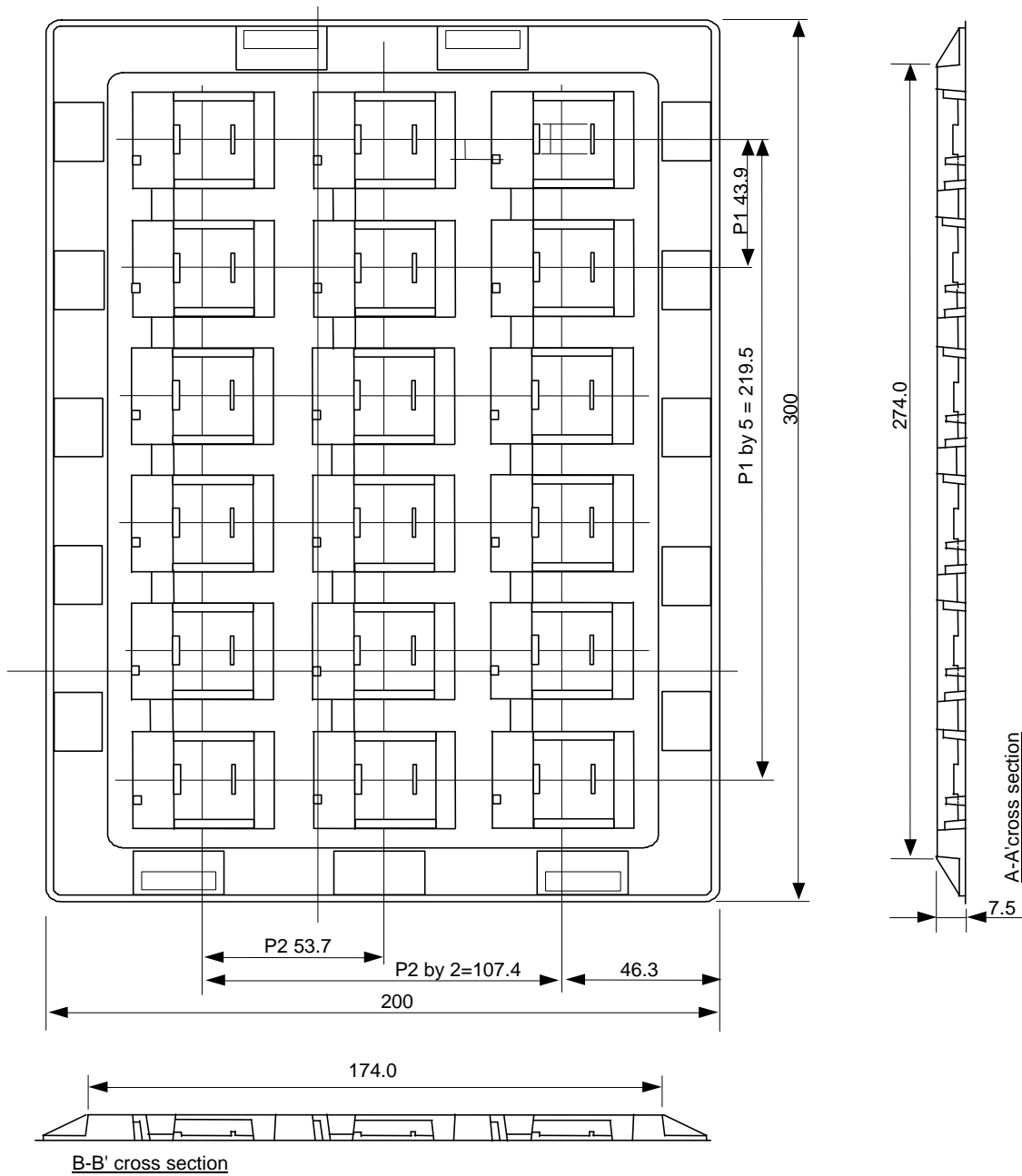
#### PACKING AND SHIPPING

Trays

Tray Dimensions

Unit : mm

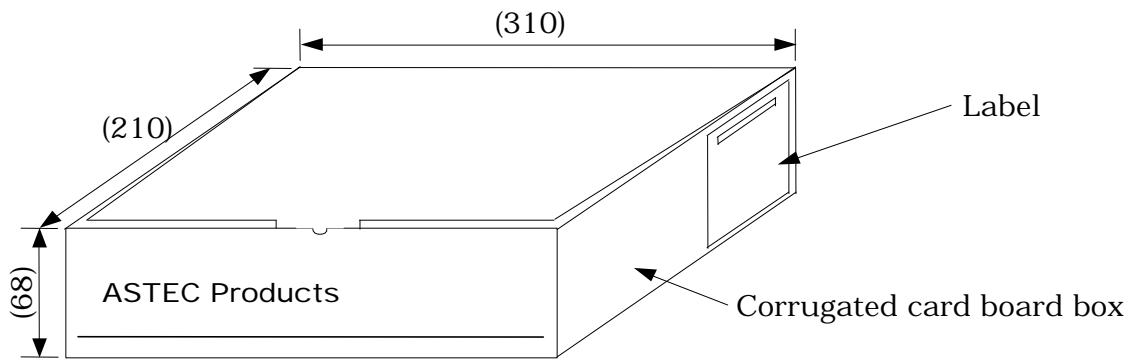
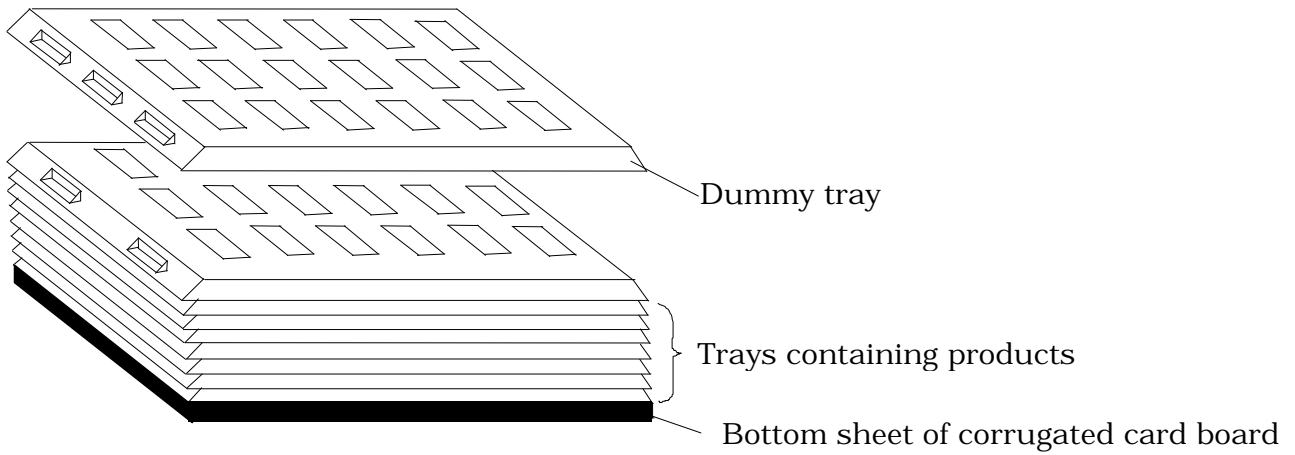
General tolerance :  $\pm 1.5$



Maximum pieces per a tray : 18pcs/tray

Package

Corrugated cardboard box contains trays with products. Tray is heaped with alternately opposite direction to prevent products from contacting against the bottoms of trays.



Numerals in parentheses are reference only.

Unit : mm

Label written by : Part Number,  
: Quantity,  
: Inspection Number.  
: CE Mark

**Reflow Soldering Information**

Soldering

I) Flux

Solder the products with Rosin Flux (0.2wt%. chloride or less).  
 Do not use acid or soluble flux, because they may damage metallic parts and glass parts and may cause defective or reduce quality.

II) Solder

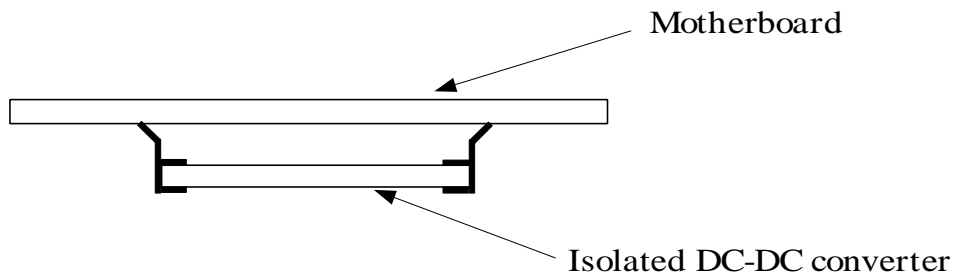
SnAgCu solder compatible

III) Condition of Soldering – Recommended soldering profile (J-STD-020C):

Reflow Profile :	Infrared or air blow
Preheating :	150 – 200 deg C for 60 to 150sec
Peak temperature :	240 ± 5 deg C at surface.
Maximum period above 220deg.C :	20 – 60sec
Ramp rate :	lower than 4 deg C / sec
Times :	Max 2 times (see below recommendation) .

Recommendation

Do not give vibration to products while solder melts under reflow process.  
 Please handle to wait for products cooled down enough.  
 Please don't reflow a motherboard mounted the products on the lower side such as a below figure, because the products surely fall down from the motherboard.  
 If need, we recommend to use supplemental mechanical contact to pins at four corners of a substrate by other adhesive methods, for example, a thermal setting resin rather than soldering.



**Recommend Storage Condition**

Maximum storage period:	6 months
Storage condition:	30 deg C, 60%RH

Recommend baking the module at 100degC for 24 hours if storage period is longer than 6 months.